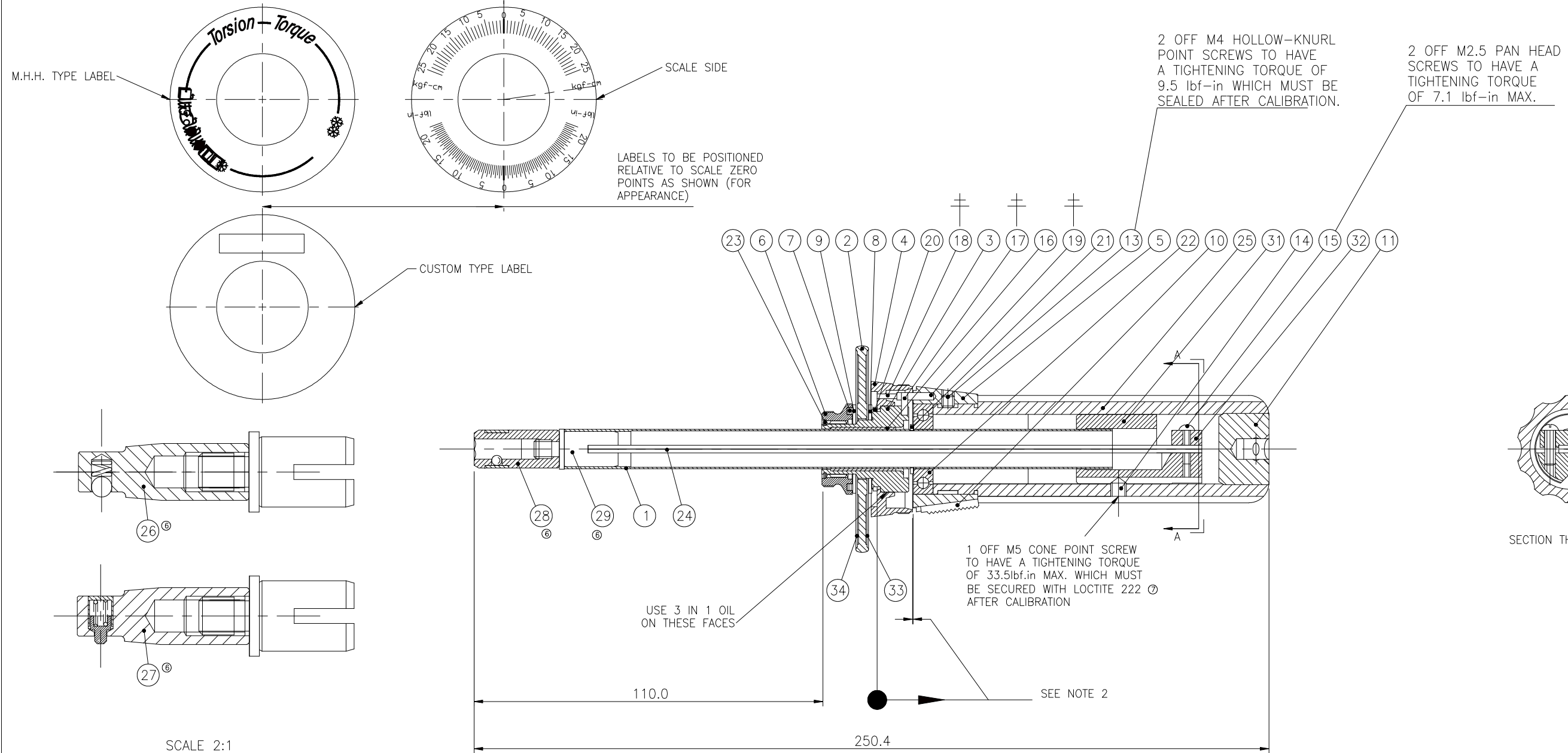


DO NOT SCALE

THIRD ANGLE PROJECTION

REMOVE BURRS & SHARP EDGES

METRIC DRAWING



ITEM	PART NO	DESCRIPTION	QTY	REMARKS	ITEM	PART NO	DESCRIPTION	QTY	REMARKS	
1	B70090	SHAFT TUBE	1		26	A17930	SQ DR ADAPTOR ASSY.(BALL)	1	TT500/250	
2	B82070	DIAL BLANK	1		27	A17940	SQ DR ADAPTOR ASSY.(PIN)	1	TT500/250	
3	C86440	STOP COLLAR	1		28	A11380	F/HEX DRIVE ADAPTOR	1	TT500/250	
4	C75290	INDICATOR BEZEL	1	ENGRAVING DETAIL	29	A10791	DRIVE END	1	TT250	
5	A75280	INDICATOR BEZEL	1				A10792	DRIVE END	1	TT500
6	B75300	FIXED BEZEL	1			31	B70161	CLAMP SLEEVE	1	TT250
7	B86490	CLAMP NUT	1				B70162	CLAMP SLEEVE	1	TT500
8	A78822	WAVE SPRING	1			32	A70171	CLAMP PLATE	1	TT250
9	A78812	FIBRE WASHER	1				A70172	CLAMP PLATE	1	TT500
10	A78802	PTFE WASHER	1			33	C79400	DIAL LABEL	1	TT250
11	B84202	SLIDER	1				C81930	DIAL LABEL	1	TT25K
12	A70110	SQUARE DRIVE ADAPTOR	1				C80700	DIAL LABEL	1	TT500
13	P16200	SOCKET SET SCREW M4 x 4	2		HOLLOW KNURL PT 90° POINT		C81940	DIAL LABEL	1	TT50K
14	P26920	SOCKET SET SCREW M5 x 6	1				34	C72900	TOOL LABEL	1
15	P17880	PAN HEAD SCREW	2			C72910	TOOL LABEL	1	TT500	
16	P18130	TOLERANCE RING	1							
17	P14680	SPRING PIN	2							
18	P15460	SPRING PIN	1							
19	P13530	SPRING PIN	1							
20	P15710	RETAINING RING	1							
21	P15700	CIRCLIP	1							
22	P14760	BALL BEARING	1							
23	P18230	RETAINING RING	1							
24	A69862	TORSION BAR	1	TT250						
25	A69862	TORSION BAR	2	TT500						
	B75251	HANDLE GOLD	1							
	B75252	HANDLE GREEN	1							

12288B	7
12222B	6
10434B	5
10268B	4
MOD	ISS.

PRINCIPAL DIMNS ARE MILLIMETRES UNSPECIFIED TOLS:- 2 DEC. PLACE ± 0.10 1 DEC. PLACE ± 0.25 ANGLES ± 0.5 deg.	SCALE 1:1&2:1	MATERIAL SIZE & SPEC SEE PARTS LIST HEAT TREATMENT	USED ON ASSY No. _____	
	M/C AT		DRAWN BY I.WARE DATE 12.02.02 AUTOCAD FILE LOCATION MHHDRGS\TT	
© M.H.H. ENG. Co. Ltd. BRAMLEY, GUILDFORD, SURREY.		DESCRIPTION. TT250/TT500 G/ASSEMBLY	DRAWING No. C87120	