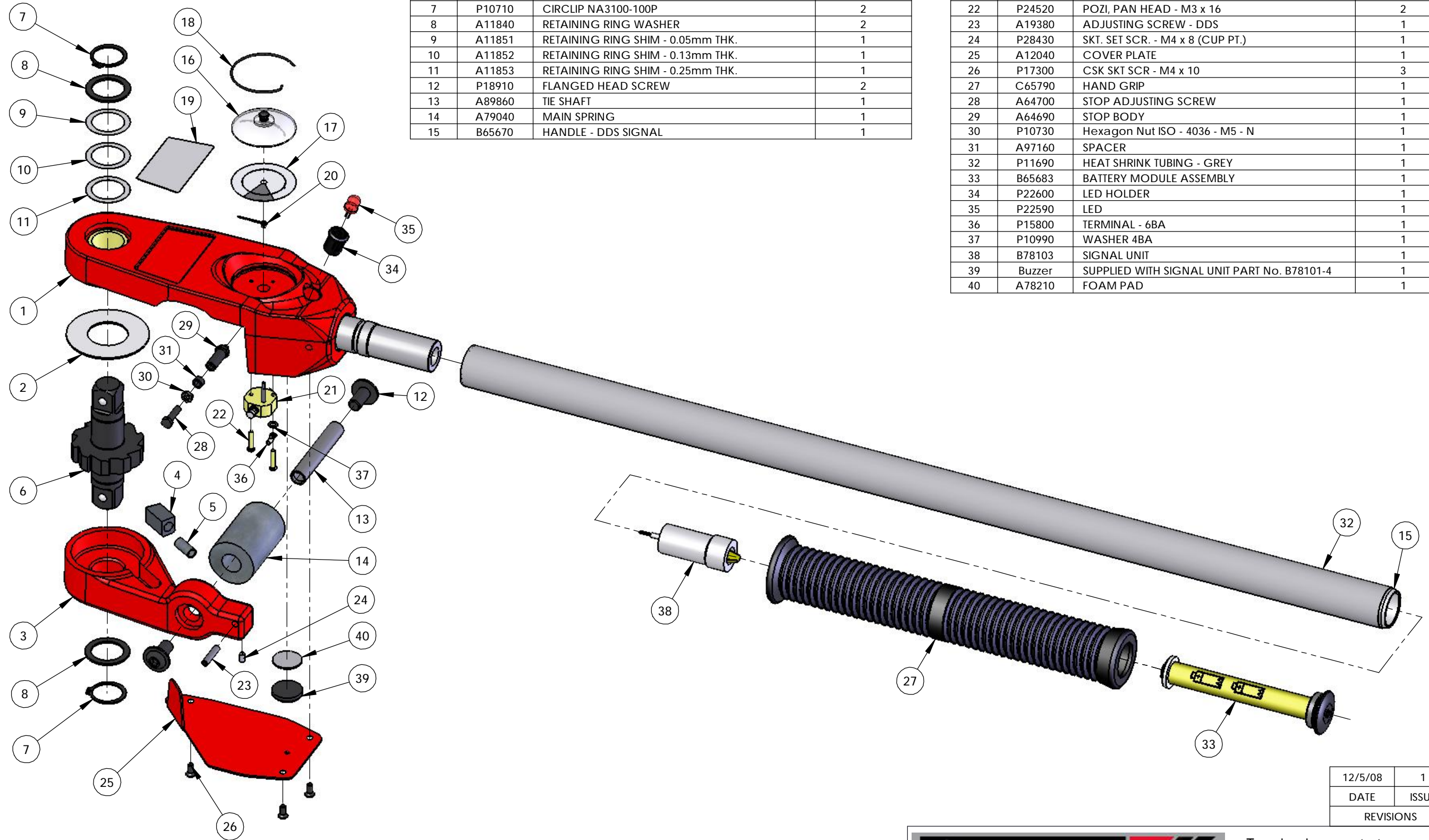


ITEM NO.	PART NUMBER	DESCRIPTION	SPARE PARTS LIST/QTY.
1	D65920	BODY TOP HALF - HANDLE STUB SUB-ASSY	1
2	A12090	THRUST WASHER	1
3	D12780	M/C DETAILS LOWER BODY HALF	1
4	A11960	PAWL	1
5	A11830	PAWL SPRING	1
6	A13060	DDS 3/4in RATCHET SPINDLE - SUB ASSY	1
7	P10710	CIRCLIP NA3100-100P	2
8	A11840	RETAINING RING WASHER	2
9	A11851	RETAINING RING SHIM - 0.05mm THK.	1
10	A11852	RETAINING RING SHIM - 0.13mm THK.	1
11	A11853	RETAINING RING SHIM - 0.25mm THK.	1
12	P18910	FLANGED HEAD SCREW	2
13	A89860	TIE SHAFT	1
14	A79040	MAIN SPRING	1
15	B65670	HANDLE - DDS SIGNAL	1

ITEM NO.	PART NUMBER	DESCRIPTION	SPARE PARTS LIST/QTY.
16	B66462	WINDOW ASSY - SIGNAL	1
17	B65560	DIAL DDS - S (STD.) OR M (MINUS) VERSIONS	1
18	A10460	WINDOW CIRCLIP	1
19	B94714	TOOL LABELS	1
20	A66432	HAND ASSY - BDS, CDS, DDS & EDS	1
21	B64064	RACK & PINION (SHOCK ABSORBING)	1
22	P24520	POZI, PAN HEAD - M3 x 16	2
23	A19380	ADJUSTING SCREW - DDS	1
24	P28430	SKT. SET SCR. - M4 x 8 (CUP PT.)	1
25	A12040	COVER PLATE	1
26	P17300	CSK SKT SCR - M4 x 10	3
27	C65790	HAND GRIP	1
28	A64700	STOP ADJUSTING SCREW	1
29	A64690	STOP BODY	1
30	P10730	Hexagon Nut ISO - 4036 - M5 - N	1
31	A97160	SPACER	1
32	P11690	HEAT SHRINK TUBING - GREY	1
33	B65683	BATTERY MODULE ASSEMBLY	1
34	P22600	LED HOLDER	1
35	P22590	LED	1
36	P15800	TERMINAL - 6BA	1
37	P10990	WASHER 4BA	1
38	B78103	SIGNAL UNIT	1
39	Buzzer	SUPPLIED WITH SIGNAL UNIT PART No. B78101-4	1
40	A78210	FOAM PAD	1



12/5/08	1
DATE	ISSUE
REVISIONS	



To order please contact
 Email: sales@torqueleader.co.uk
 Tel: +44 (0)1483 892772
 Fax: +44 (0)1483 898536

DDS YEAR 2008 ONWARDS