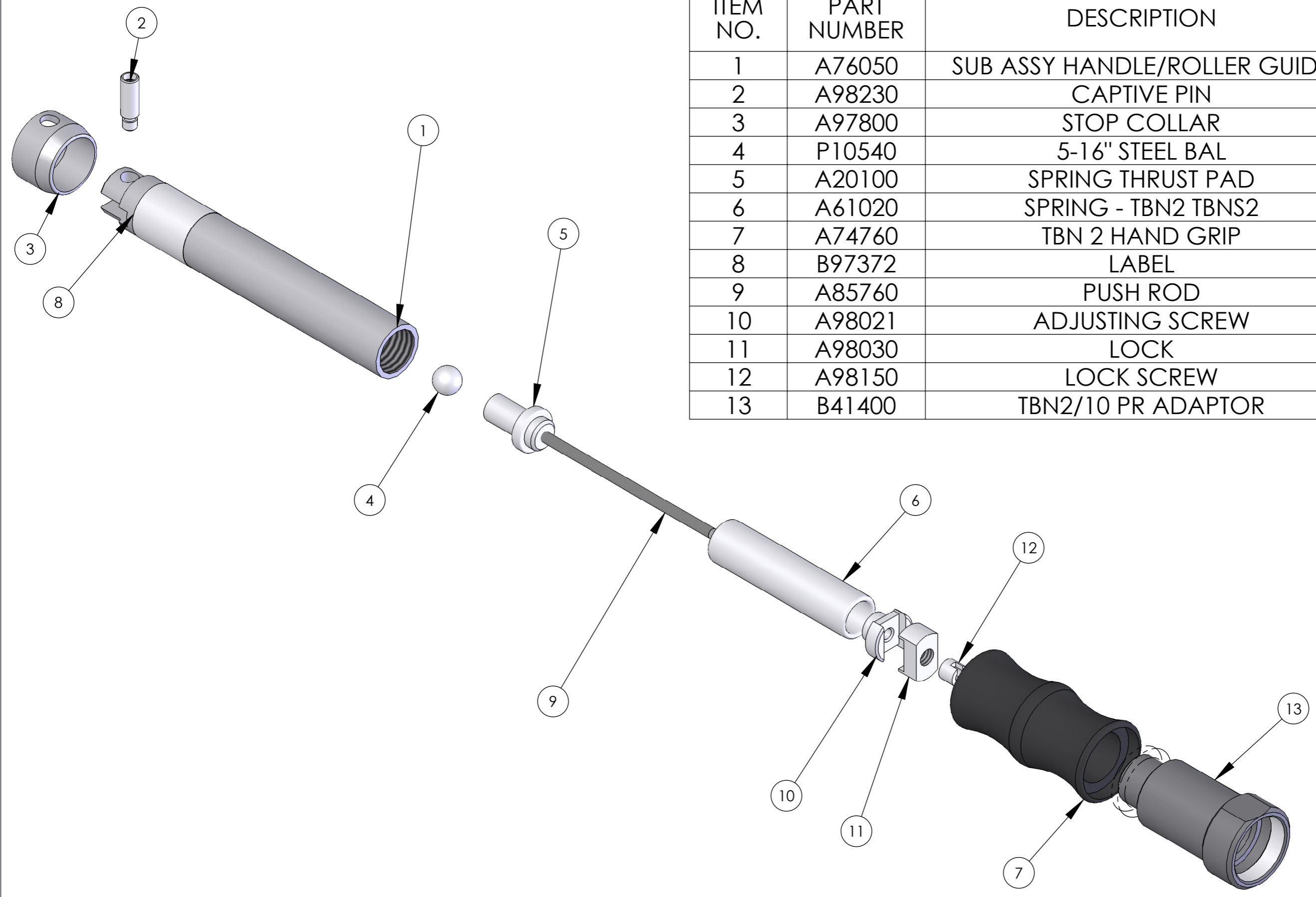


ITEM NO.	PART NUMBER	DESCRIPTION	QTY.
1	A76050	SUB ASSY HANDLE/ROLLER GUIDE	1
2	A98230	CAPTIVE PIN	1
3	A97800	STOP COLLAR	1
4	P10540	5-16" STEEL BAL	1
5	A20100	SPRING THRUST PAD	1
6	A61020	SPRING - TBN2 TBNS2	1
7	A74760	TBN 2 HAND GRIP	1
8	B97372	LABEL	1
9	A85760	PUSH ROD	1
10	A98021	ADJUSTING SCREW	1
11	A98030	LOCK	1
12	A98150	LOCK SCREW	1
13	B41400	TBN2/10 PR ADAPTOR	1



22/02/12	1
DATE	ISSUE
REVISIONS	



To order please contact
 Email: sales@torqueleader.co.uk
 Tel: +44 (0)1483 892772
 Fax: +44 (0)1483 898536

TBN2 PR YEAR 2012 ONWARDS

Copyright 2010, MHH Engineering Limited